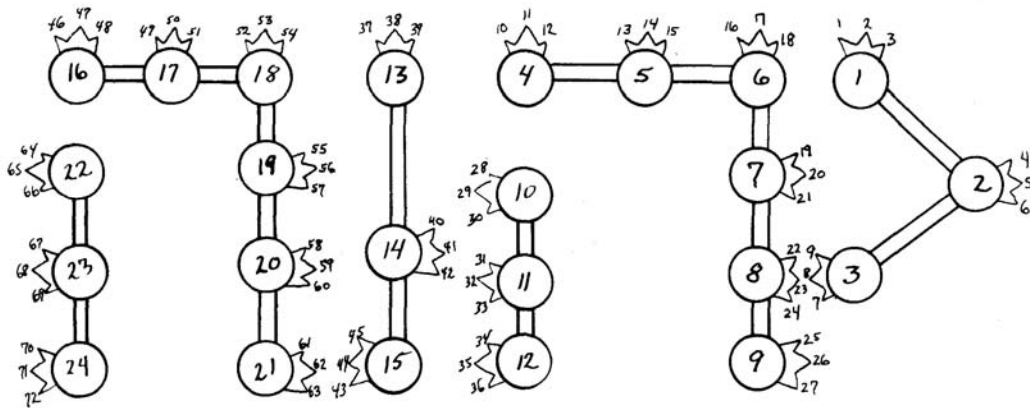


# Shem Ha-Mephoresch

## The 72 Fold Name



## **This refers to the Seventy Two Names of the Expounded Name YHVH.**

Four is the number of the letters of the Tetragrammaton. Four is also the number of the letters of the name ADNI which is its representative and key. The latter name is bound with the former and united thereto, thus IAHDVNHY forming a name of 8 letters.  $8 \times 3$ , the number of the Supernal Triad, yields the 24 thrones of the Elders of the Apocalypse, each of whom wears on his head a golden crown of three rays, each ray of which is a name, each name an Absolute Idea and Ruling Power of the great name YHVH Tetragrammaton.

The number 24 of the thrones multiplied by the 3 rays of the crown which equals 72, the name of God of 72 letters, which is thus mystically shown in the name YHVH, as under: (Or as the book of Revelation says: "When the living creatures (the four Kerubim the Letters of the Name) give glory to Him, etc. the four and twenty elders fall down before Him and cast their crowns before the Throne, etc." (that is the Crowns, which each bear 3 of the 72 Names, and these 72 names are written on the leaves of the Tree of Life which were for the healing of the nations.)

These are also the 72 names of the ladder of Jacob on which the Angels of God ascended and descended. It will presently be shown how the 72 Angelic names are formed from the 72 Names of the Deity, and also how their signification is to be found. The 72 Names of the Deity are thus obtained. The 19th, 20th, and 21st verses of the XIV Chapter of the Book of Exodus each consist of 72 letters.

(The English translation is:) 19th verse: "And the Angel of the Elohim, that went before the camp of Israel, removed and went behind them; and the pillar of cloud removed from before them and stood behind them."

20th verse: "And it came between the camp of the Egyptians and the camp of Israel; and it was a cloud and darkness (to the first) but it gave light by night (to these); and the one came not near unto the other all the night."

21st verse: "And Moses stretched out his hand over the sea, and the Lord drove back the sea with a strong east wind all that night and made the sea dry land, and the waters divided."

These three verses are now to be written at length one above the other, the first from right to left, and the second from left to right, and the third from right to left; and as they contain 72 letters, there will be 72 columns of three letters each. Then each column will give a word of three letters, and there will be 72 names of three letters each, which are the Shem ha Mephoresch or 72 Names of the Deity, expounding the Powers of the name YHVH.

From these names 72 Names of Angels are formed by the addition of, in some cases, the suffice YH which signifies Mercy and Beneficence, or in others of the suffice AL which signifies Severity and Judgment. Or as it is said: "And the Name is in Him, etc."

These 72 Angels rule over the 72 Quinances or sets of 50 of the Zodiac, and therefore each decanate or set of 100 of a Sign has 2 Quinances, and each sign has 3 decanates, which are again allotted to the Planets in regular order. This is

the formation as given above (each Angel's name containing 5 letters and each name of Deity 3.).

These then are the Schem ha-Mephoresch or 72 Angels bearing the Name of God, classed into nine sets of 8, each answering to the nine choirs of Angels, and also divided into 4 great divisions of 18 each, each division under the Presidency of one of the four letters of the Name YHVH.

They are further classed as belonging to the decanates of the Zodiac as follows: 2 Quinances to each decanate. The first division of 3 Signs is under the Presidency of Y, the letter of Fire. The second Division of 3 signs, headed by the Watery sign Cancer, is under the Presidency of H the Letter of Water. The third division of 3 Signs headed by the Airy Sign Libra is under the Presidency of VAU, the letter of Air. And the 4th division of 3 signs headed by the Earthy Sign Capricorn is under the Presidency of HEH final, the letter of Earth.

But it should be remembered that the most powerful rule of Y of Tetragrammaton is over the Fiery Triplicity; that of H over the Watery Triplicity; that of Vau over the Airy Triplicity; and that of H final over the Earthy Triplicity.

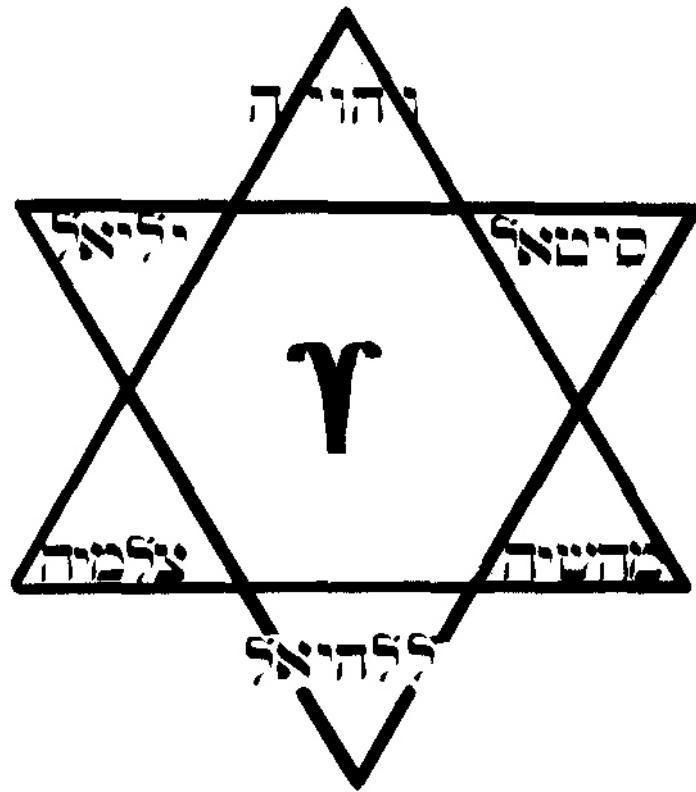
In the 22nd chapter of the Apocalypse of St. John it is said that "The Tree of Life which bare Twelve manner of fruits and yielded her fruit every month, and the leaves of the Tree were for the healing of the Nations. And there shall be no more curse; but the Throne of God and of the Lamb shall be in it. "This is exemplified in the drawing taken from the 3-8 Altar Diagram. The "Twelve Manner of fruits yielded every month" answer to the signs of the Zodiac and the Twelve Tribes of the Sons of Jacob. Also to the twelve apostles. The healing leaves are those of Schem ha-Mephoresch or the divided Name of Zauir Anpin, the Microprosopus, the Christ, the Lamb of Elohim, whose Throne is in the Tree, from which Throne issues the River of the Waters of Life.

# זעיר אנפין OR MICROPROSOPUS



The Seventy two leaves of the Tree of Life are Zaur Anpin or Microprosopus. Now the Twelve Sons of Jacob go down into Egypt, that is the Kingdom, Malkuth, which has been destroyed in the Fall, and cut from the Sephirotic Tree by the intersecting folds of the great Dragon who then becomes its Ruler as shown in the great Altar Diagram of the 4-7 grade. "Behold, I am against thee, Pharaoh, King of Egypt, the great dragon that lieth in the midst of the Rivers." And the first of the sons of Jacob who goeth down is Joseph whose two Tribes, Ephraim and Manasseh, balance each other in Chesed and Geburah. That is to say, that there first comes down into the desolated Earth the combined power of Mercy and Severity. And Ephraim, the Kerubic sign of the Ox, is the natural ruler of Earth in Malkuth, under the power of H final of the Holy Name, the Bride, Eve, and the Queen. And the Schem ha-Mephoresch, the 72, are found in the number of the family of Jacob's sons is 70; and Jacob and Joseph equals 72. But the then ruling Pharaoh, corresponds more to Hadar amongst the Edomite Kings, as representing one of not so evil a tendency. Yet as the Apocalyptic symbol of the Lamb and the Airy Sign which leads off the Schem ha-Mephoresch is Chesed; one opposed to the evil symbol of the Dragon, so is every shepherd an abomination to the Egyptians, who yet are friendly with the Ox symbol, the Kerubic Ruler of Earth,

and therefore is it symbolically said by the Children of Israel that their business has been about cattle and not about sheep.



# Names and Meanings of the 72 Verses

The Seals of These are addressed to the Zelator Adeptus Minor.

## 1st Angel

NAME: Vahuaih  
SIGN: Leo  
PLANET: Saturn  
DEGREE: 0—5  
MEANING: God the Exalter  
PSALM 3:4: "And Thou, O Tetragrammaton, art a Shield about me, my Glory and He who lifteth up my head."

## 2nd Angel

NAME: Yelauiel  
SIGN: Leo  
PLANET: Saturn  
DEGREE: 5—10  
MEANING: Strength  
PSALM 22:20: "And Thou, O Tetragrammaton, be not far off, O my Strength, to help me make haste."

## 3rd Angel

NAME: Satiel  
SIGN: Leo  
PLANET: Jupiter  
DEGREE: 10—15  
MEANING: Refuge, Fortress, Confidence  
PSALM 9 1:2: "I will say unto Tetragrammaton, My refuge and fortress, my God, I will be confident in him."

## 4th Angel

NAME: Nghelamiah  
SIGN: Leo  
PLANET: Jupiter  
DEGREE: 15—20  
MEANING: Concealed, saving  
PSALM 6:5: "Return O Tetragrammaton, deliver my soul, save me because of Thy mercy."

## **5th Angel**

NAME: Mahasiah

SIGN: Leo

PLANET: Mars

DEGREE: 20—25

MEANING: Seeking safety from trouble.

PSALM 34:5: "I sought Tetragrammaton, and He answered me and out of all my fears He delivered me."

### NAMES AND MEANINGS OF THE 72 VERSES '7-'8

## **6th Angel**

NAME: Lelahel

SIGN: Leo

PLANET: Mars

DEGREE: 25—30

MEANING: Praiseworthy, declaring.

PSALM 9:12: "Sing Psalms unto Tetragrammaton Who inhabiteth, shew forth among the nations His deeds."

## **7th Angel**

NAME: Akaiah

SIGN: Virgo

PLANET: Sun

DEGREE: 0-5

MEANING: Long suffering

PSALM: 103:8: "Merciful and gracious is Tetragrammaton, long suffering and plentiful of Mercy."

## **8th Angel**

NAME: Kehethel

SIGN: Virgo

PLANET: Sun

DEGREE: 5—10

MEANING: Adorable.

PSALM 95:6: "Come ye, we will bow down and bend before Tetragrammaton who hath made us."

## **9th Angel**

NAME: Hazeyael

SIGN: Virgo

PLANET: Venus

DEGREE: 10—15

MEANING: Merciful

PSALM 25:6: "Remember Thy tender mercies, O Tetragrammaton, and Thy mercies, for from of old they were."

## 10th Angel

NAME: Eldiah  
SIGN: Virgo  
PLANET: Venus  
DEGREE: 15—20  
MEANING: Profitable  
PSALM 33:22: "There shall be Thy mercy, O Tetragrammaton, upon us, as we have hoped in Thee."

## 11th Angel

NAME: Leviah  
SIGN: Virgo  
PLANET: Mercury  
DEGREE: 20—25  
MEANING: Meet to be exalted.  
PSALM 18:47: "Liveth Tetragrammaton, and blessed by my Rock, and there shall arise the God of my salvation."

## 12th Angel

NAME: Hihaiiah  
SIGN: Virgo  
PLANET: Mercury  
DEGREE: 25—30  
MEANING: Refuge  
PSALM 10:1: "Why O Tetragrammaton, wilt Thou stand afar, why wilt Thou hide Thyself at times of trouble."

## 13th Angel

NAME: Iezalel  
SIGN: Libra  
PLANET: Moon  
DEGREE: 0—5  
MEANING: Rejoicing over all things.  
PSALM 98:4 "Shout ye to Tetragrammaton, all the Earth, break ye forth, and shout for Joy, and sing Psalms."

## 14th Angel

NAME: Mebahael  
SIGN: Libra  
PLANET: Moon  
DEGREE: 5—10  
MAANING: Guardian and preserver.  
PSALM 9:10: "And Tetragrammaton shall be a high place for the oppressed, a high place for seasons in distress."



## **15th Angel**

NAME: Harayel

SIGN: Libra

PLANET: Saturn

DEGREE: 10—15

MEANING: Aid.

PSALM 94:22: "And Tetragrammaton is become unto me a refuge, and my God is the Aid of my Hope."

## **16th Angel**

NAME: Hoqamiah

SIGN: Libra

PLANET: Saturn

DEGREE: 15—20

MEANING: Raise up, praying day and night.

PSALM 88:2: "O Tetragrammaton, God of my Salvation in the day I have cried, and in the night before Thee."

## **17th Angel**

NAME: Laviah

SIGN: Libra

PLANET: Jupiter

DEGREE: 20—25

MEANING: Is Wonderful

PSALM 8:1: "O Tetragrammaton, our Lord, how excellent is Thy Name in all the Earth."

## **18th Angel**

NAME: Keliel

SIGN: Libra

PLANET: Jupiter

DEGREE: 25—30

MEANING: Worthy to be invoked. Just to me.

PSALM 25:24: "Judge me accordingly to Thy righteousness, Tetragrammaton, my God, and let them rejoice over me."

## **19th Angel**

NAME: Livoih

SIGN: Scorpio

PLANET: Mars

DEGREE: 0-5

MEANING: Hastening to hear.

PSALM 40:2: "Expecting, I expected Tetragrammaton, and He inclined unto me, and heard my cry."

## 20th Angel

NAME: Pheheliah

SIGN: Scorpio

PLANET: Mars

DEGREE: 5—10

MEANING: Redeemer, liberator.

PSALM 120:1, 2:20 "In my distress I cried to Thee O

Tetragrammaton, and He heard me." "Deliver my soul O

Tetragrammaton, from lying lips, and from deceitful tongues."

## 21st Angel

NAME: Nelakhel

SIGN: Scorpio

PLANET: Sun

DEGREE: 10—15

MEANING: Thou alone.

PSALM 31:15: "And in Thee I have confided, O Tetragrammaton, I

have said Thou art my God."

## 22nd Angel

NAME: Yeiael

SIGN: Scorpio

PLANET: Sun

DEGREE: 15—20

MEANING: Thy right hand.

PSALM 121:5: "Tetragrammaton Keepeth Thee. Tetragrammaton is

Thy shadow upon Thy right hand."

## 23rd Angel

NAME: Malahel

SIGN: Scorpio

PLANET: Venus

DEGREE: 20—25

MEANING: Turning away evil.

PSALM 121:8: "Tetragrammaton will keep thy going out and thy

coming in from now until Ever."

## 24th Angel

NAME: Hahauiah

SIGN: Scorpio

PLANET: Venus

DEGREE: 25—30

MEANING: Goodness in Himself. Trust in Thy mercy.

PSALM 33:18: "From Tetragrammaton is a blessing upon those that

fear Him, and those who trust in Him."

## **25th Angel**

NAME: Nethhiah  
SIGN: Sagittarius  
PLANET: Mercury  
DEGREE: 0—5  
MEANING: Wide in extent, the enlarger, wonderful.  
PSALM 9:1: "I will give thanks unto Tetragrammaton with all my heart, will tell of all Thy wondrous works."

## **26th Angel**

NAME: Heeiah  
SIGN: Sagittarius  
PLANET: Mercury  
DEGREE: 5—10  
MEANING: Heaven in secret.  
PSALM 119:145: "I have called with all my heart, answer me Tetragrammaton, I will preserve Thy statutes."

## **27th Angel**

NAME: Irthel  
SIGN: Sagittarius  
PLANET: Moon  
DEGREE: 10—15  
MEANING: Deliver  
PSALM 140:2: "Deliver me O Tetragrammaton, from the Evil Man, from the Man of violence preserve Thou me."

## **28th Angel**

NAME: Sehaiah  
SIGN: Sagittarius  
PLANET: Moon  
DEGREE: 15—20  
MEANING: Taker away of Evils.  
PSALM 71.12: "O Tetragrammaton be not far from me, O my Tetragrammaton make haste for my help."

## **29th Angel**

NAME: Rayayel  
SIGN: Sagittarius  
PLANET: Saturn  
DEGREE: 20—25  
MEANING: Expectation.  
PSALM 54:4: "Behold, Elohim helpeth me, and Tetragrammaton is with them who uphold my soul."

### **30th Angel**

NAME: Evamel  
SIGN: Sagittarius  
PLANET: Saturn  
DEGREE: 25—30  
MEANING: Patience.  
PSALM 71:5: "For Thou art my Hope, O Tetragrammaton: O Adonai, my confidence from my Youth."

### **31st Angel**

NAME: Lekabel  
SIGN: Capricorn  
PLANET: Jupiter  
DEGREE: 0—5  
MEANING: Teacher.  
PSALM 71:16: "I will go in strength O Tetragrammaton; O Adonai, I will make mention of Thy righteousness even of Thine only."

### **32nd Angel**

NAME: Veshariah  
SIGN: Capricorn  
PLANET: Jupiter  
DEGREE: 5—10  
MEANING Upright.  
PSALM 33:4: "For Upright is Tetragrammaton of the Word, and all His works are in Truth."

### **33rd Angel**

NAME: Yechuiah  
SIGN: Capricorn  
PLANET: Mars  
DEGREE: 10—15  
MEANING: Knower of all things.  
PSALM 94:11: "Tetragrammaton knoweth the thoughts of man, that they are in vain."

### **34th Angel**

NAME: Lehahaih  
SIGN: Capricorn  
PLANET: Mars  
DEGREE: 15—20  
MEANING: Clement, merciful.  
PSALM 131:3: "Let Israel trust in Tetragrammaton, now and for ever."

### **35th Angel**

NAME: Keveqaiah  
SIGN: Capricorn  
PLANET: Sun  
DEGREE: 20—25  
MEANING: To be rejoiced in.  
PSALM 116:1: "I have rejoiced because Tetragrammaton hath heard the voice of my supplication."

### **36th Angel**

NAME: Mendiel  
SIGN: Capricorn  
PLANET: Sun  
DEGREE: 25—30  
MEANING: Honourable.  
PSALM 26:8: "O Tetragrammaton, I have loved the habitation of Thy house and the place of the abiding of Thine Honour."

### **37th Angel**

NAME: Anaiel  
SIGN: Aquarius  
PLANET: Venus  
DEGREE: 0-5  
MEANING: Lord of Virtues.  
PSALM 80:18: "O Tetragrammaton Elohim Tzaboath, turn us and cause Thy Face to shine upon us, and we shall be saved."

### **38th Angel**

NAME: Chaamiah  
SIGN: Aquarius  
PLANET: Venus  
DEGREE: 5-10  
MEANING: Hope of all the ends of the Earth.  
PSALM 9 1:9: "Because Thou, O Tetragrammaton, art my refuge, Thou hast Thy refuge in the Most High."

### **39th Angel**

NAME: Reheael  
SIGN: Aquarius  
PLANET: Mercury  
DEGREE: 10-15  
MEANING: Swift to condone.  
PSALM 30:2: "Hear, O Tetragrammaton, and be gracious unto me Tetragrammaton, be Thou my Helper."

## **40th Angel**

NAME: Yeizael  
SIGN: Aquarius  
PLANET: Mercury  
DEGREE: 15—20  
MEANING: Making joyful.  
PSALM 88: 14: "Why O Tetragrammaton, repelled Thou my soul,  
and hidest Thy face from me."

## **41st Angel**

NAME: Kehihel  
SIGN: Aquarius  
PLANET: Moon  
DEGREE: 20—25  
MEANING: Triune.  
PSALM 12:2: "O Tetragrammaton deliver my soul from a lip of  
lying, from a tongue of guile."

## **42nd Angel**

NAME: Mikhael  
SIGN: Aquarius  
PLANET: Moon  
DEGREE: 25—30  
MEANING: Who is like unto Him.  
PSALM 121:7: "Tetragrammaton shall keep thee from all Evil, He  
shall preserve thy soul."

## **43rd Angel**

NAME: Vavaliah  
SIGN: Pisces  
PLANET: Saturn  
DEGREE: 0—5  
MEANING: King and Ruler.  
PSALM 88: 13: "And I, unto Thee, O Tetragrammaton, have cried,  
and in the morning my prayer shall come before Thee."

## **44th Angel**

NAME: Ilhaiah  
SIGN: Pisces  
PLANET: Saturn  
DEGREE: 5—10  
MEANING: Abiding for ever.  
PSALM 119:108: "Let the freewill Offerings of my mouth, please  
Thee, O Tetragrammaton, and teach me Thy Judgements."

### **45th Angel**

NAME: Saelaih  
SIGN: Pisces  
PLANET: Jupiter  
DEGREE: 10—15  
MEANING: Mover of all things.  
PSALM 94:18: "When I said, my foot hath been moved, Thy mercy,  
O Tetragrammaton, will uphold me."

### **46th Angel**

NAME: Ngharaiel  
SIGN: Pisces  
PLANET: Jupiter  
DEGREE: 15-20  
MEANING: Revealer  
PSALM 145:9: "Tetragrammaton is good unto every man, and His  
Mercies are over all His works."

### **47th Angel**

NAME: Aslaiah  
SIGN: Pisces  
PLANET: Mars  
DEGREE: 20—25  
MEANING: Just Judge.  
PSALM 92:5: "How Great have been Thy Works O Tetragrammaton,  
very deep have been Thy devices."

### **48th Angel**

NAME: MiheI  
SIGN: Pisces  
PLANET: Mars  
DEGREE: 25—30  
MEANING: Sending Forth as a father.  
PSALM 98:2: "Tetragrammaton hath made known His salvation, in  
the sight of the Nations hath He revealed His justice."

### **49th Angel**

NAME: UhaueI  
SIGN: Aries  
PLANET: Mars  
DEGREE: 0—5  
MEANING: Great and Lofty.  
PSALM 145:3: "Great is Tetragrammaton and greatly to be praised,  
and unto His greatness there is not an end."

## 50th Angel

NAME: Deneyael  
SIGN: Aries  
PLANET: Mars  
DEGREE: 5—10  
MAANING: Merciful Judge  
PSALM 145:8: "Merciful and gracious is Tetragrammaton, slow to anger and abounding in Mercy."

## 51st Angel

NAME: Kechasheiah  
SIGN: Aries  
PLANET: Sun  
DEGREE: 10—15  
MEANING: Secret and Impenetrable.  
PSALM 104:31: "The Glory of Tetragrammaton shall endure for ever, Tetragrammaton shall rejoice in His works."

## 52nd Angel

NAME: Amamiah  
SIGN: Aries  
PLANET: Sun  
DEGREE: 15—20  
MEANING: Covered in darkness.  
PSALM 7:17: "I will give thanks unto Tetragrammaton according to His righteousness, and I will sing Psalms unto the Name of Tetragrammaton Most High."

## 53rd Angel

NAME: Nangel  
SIGN: Aries  
PLANET: Venus  
DEGREE: 20—25  
MEANING: Caster down of the Proud.  
PSALM 119:75: "I have known, O Tetragrammaton that righteous are Thy Judgements, and in faithfulness hast Thou humbled me."

## 54th Angel

NAME: Nithael  
SIGN: Aries  
PLANET: Venus  
DEGREE: 25-30  
MEANING: Celestial King.  
PSALM 103:19: "Tetragrammaton hath established His Throne in Heaven, and His Kingdom ruleth over all."



## 55th Angel

NAME: Mibahaih  
SIGN: Taurus  
PLANET: Mercury  
DEGREE: 0-5  
MEANING: Eternal.  
PSALM 102:12: "But Thou O Tetragrammaton, shall endure forever,  
and Thy memorial from generation to generation."

## 56th Angel

NAME: Puiael  
SIGN: Taurus  
PLANET: Mercury  
DEGREE: 5—10  
MEANING: Supporting all Things.  
PSALM 145:14: "Tetragrammaton upholdeth all those who fall, and  
lifteth up all those who are down."

## 57th Angel

NAME: Nemamaiah  
SIGN: Taurus  
PLANET: Moon  
DEGREE: 10—15  
MEANING: Lovable.  
PSALM 115:11: "Ye who fear Tetragrammaton, confide in  
Tetragrammaton, their Help and their Shield is He."

## 58th Angel

NAME: Yeileel  
SIGN: Taurus  
PLANET: Moon  
DEGREE: 15—20  
MEANING: Hearer of cries.  
PSALM 6:3: "And my soul hath been greatly troubled, and Thou,  
Tetragrammaton, how long."

## 59th Angel

NAME: Herachael  
SIGN: Taurus  
PLANET: Saturn  
DEGREE: 20—25  
MEANING: Permeating all Things.  
PSALM 113:3: "From the rising of the sun to the going down of the  
same, let the Name of Tetragrammaton be praised."

## **60th Angel**

NAME: Metzrael  
SIGN: Taurus  
PLANET: Saturn  
DEGREE: 25—30  
MEANING: Raising up the oppressed.  
PSALM 145:17: "Righteous is Tetragrammaton in all His Ways, and Holy in all His Works."

## **61st Angel**

NAME: Vamibael  
SIGN: Gemini  
PLANET: Jupiter  
DEGREE: 0—5  
MEANING: The name which is over all.  
PSALM 118:2: "Let the Name of Tetragrammaton be praised from this time forth and for evermore."

## **62nd Angel**

NAME: lahahel  
SIGN: Gemini  
PLANET: Jupiter  
DEGREE: 5-10  
MEANING: Supreme Ens or essence.  
PSALM 119:159: "See how I have loved Thy Precepts, O Tetragrammaton, in Thy Mercy keep me alive."

## **63rd Angel**

NAME: Nghaneauel  
SIGN: Gemini  
PLANET: Mars  
DEGREE: 10-15  
MEANING: Rejoicing  
PSALM 100:2: "Serve Tetragrammaton with Joy, enter those who fear Him, unto those who hope in His mercy."

## **64th Angel**

NAME: Mochaiel  
SIGN: Gemini  
PLANET: Mars  
DEGREE: 15-20  
MEANING: Vivifying  
PSALM 33:18: "Behold, the eyes of Tetragrammaton is unto those who fear Him, unto those who hope in His mercy."

## **65th Angel**

NAME: Damabaiah  
SIGN: Gemini  
PLANET: Sun  
DEGREE: 20-25  
MEANING: Fountain of Wisdom.  
PSALM 90:13: "Return O Tetragrammaton how long! and repent  
Thee concerning Thy servants."

## **66th Angel**

NAME: Menqel  
SIGN: Gemini  
PLANET: Sun  
DEGREE: 25-30  
MEANING: Nourishing All.  
PSALM 38:21: "Forsake me not O Tetragrammaton, my God be not  
Thou far from me."

## **67th Angel**

NAME: Aiael  
SIGN: Cancer  
PLANET: Venus  
DEGREE: 0-5  
MEANING: Delights of the Sons of men.  
PSALM 37:4: "Delight in Tetragrammaton, and He shall give the  
desire of thy heart."

## **68th Angel**

NAME: Chabeoiah  
SIGN: Cancer  
PLANET: Venus  
DEGREE: 5-10  
MEANING: Most Liberal Giver.  
PSALM 106:1: "O give thanks unto Tetragrammaton, for He is  
good, for His mercy endureth forever."

## **69th Angel**

NAME: Rohael  
SIGN: Cancer  
PLANET: Mercury  
DEGREE: 10-15  
MEANING: Beholding all.  
PSALM 16:5: "Tetragrammaton is the portion of my inheritance and  
my cup, Thou maintainest my lot."

## **70th Angel**

NAME: Yebamaiah

SIGN: Cancer

PLANET: Mercury

DEGREE: 15-20

MEANING: Producing by His Word.

PASSAGE: Genesis 1:1:21 "In the Beginning Elohim created the substance of the heavens and the substance of the earth."

## **71st Angel**

NAME: Heyaiel

SIGN: Cancer

PLANET : Moon

DEGREE: 20-25

MEANING: Lord of the Universe.

PSALM 108:30: "I will give thanks unto Tetragrammaton greatly with my mouth, and in the midst of many will I praise Him."

## **72nd Angel**

NAME: Mevamah

SIGN: Cancer

PLANET: Moon

DEGREE: 25-30

MEANING: End of the Universe.

PSALM 116:7: "Turn unto thy rest, O my Soul, for Tetragrammaton rewardeth thee."

The Seals of These are addressed to the Zelator Adeptus Minor.